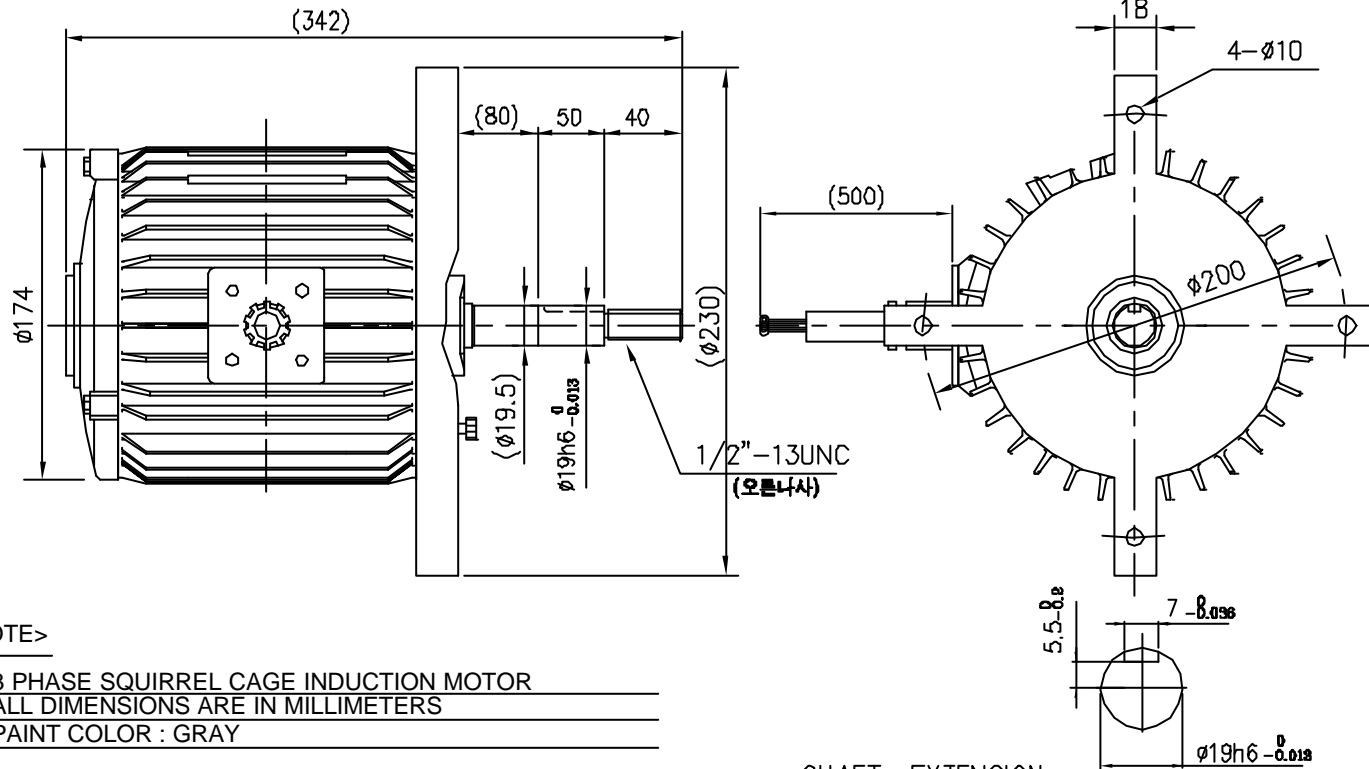


THREE PHASE INDUCTION MOTOR

TYPE ⇒ TOTALLY ENCLOSED AIR OVER

OTHER SPECIAL FEATURES

OUTLINE DIMENSIONS



<참고>

1. SHAFT 끝단에 NUT 체결.
2. E/B(F) : OIL-SEAL 부착.
3. 모든 접부 역상가스켓 처리.
4. ( )안의 치수는 참고치수임.

NOTE>

1. 3 PHASE SQUIRREL CAGE INDUCTION MOTOR
2. ALL DIMENSIONS ARE IN MILLIMETERS
3. PAINT COLOR : GRAY

GENERAL SPECIFICATIONS

SHAFT EXTENSION

DRAWING NO.	
PREPARED	CHECKED
2000.07.24	2000.07.24
D.H.KAM	H.J. KIM
APPROVED	
	2000.07.24
	J.H. KIM

	FRAME NO.	KW	POLE	VOLTS	HZ	INS CLASS	SERVICE FACTOR	RATING	BEARINGS		APPROX WEIGHT	PROTECTION	MODEL NAME
									DRIVE	OPP.DRAVE			
A	80	0.4	6	220/380	60	F	1.0	CONT.	6204DD	6203ZZ	16KG	IP54	
B		0.4	6	440	60	F	1.0	CONT.	6204DD	6203ZZ	16KG	IP54	
C													
D													

**LG-OTIS**