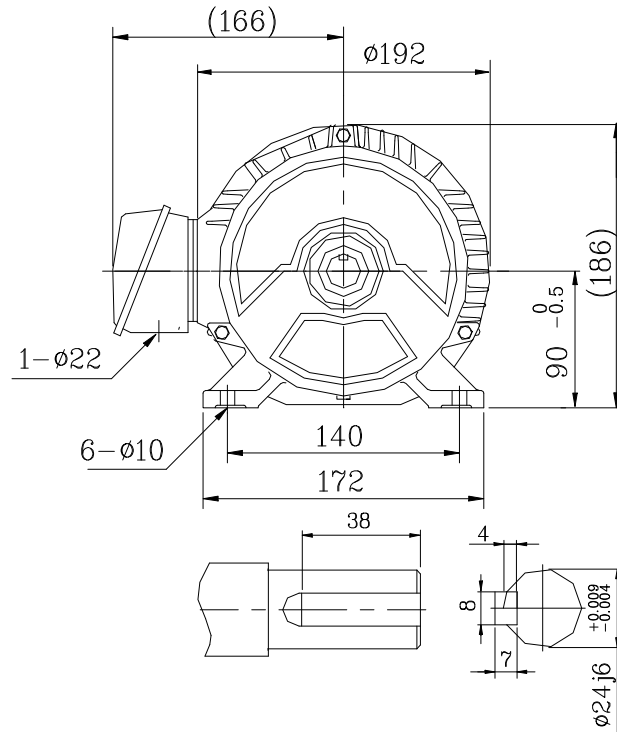
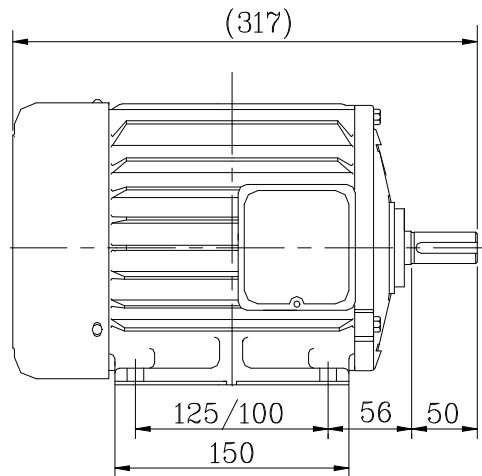


**THREE PHASE INDUCTION MOTOR**

**TYPE ⇒ TOTALLY ENCLOSED FAN COOLED**

**OTHER SPECIAL FEATURES**

**OUTLINE DIMENSIONS**



**NOTE>**

- 1. 3 PHASE SQUIRREL CAGE INDUCTION MOTOR
- 2. ALL DIMENSIONS ARE IN MILLIMETERS
- 3. PAINT COLOR : GRAY
- 4. TYPE : TEFC HORIZONTAL TYPE

**<참고>**

- 1. SHAFT 끝단 흔들림은 0.05TIR 이하.
- 2. ( )안의 치수는 참고 치수임.
- 3. MOTOR의 진동은 V20이하.
- 4. FRAME : AL DIE-CASTING

**GENERAL SPECIFICATIONS**

**SHAFT EXTENSION**

	FRAME NO.	HP	POLE	VOLTS	HZ	INS. CLASS	SERVICE FACTOR	RATING	BEARINGS		AMB. TEMP (MAX.)	PROTEC.	MODEL NAME
									DRIVE	OPP. DRIVE			
A	90L	2	4	220/380	60	B	1.0	CONT.	6205ZZ	6204ZZ	40°C	IP44	KMI-02HK1A
B													
C													
D													
E													
F													

DRAWING NO. 4681KK4F64

PREPARED CHECKED APPROVED

2000.05.27

H. J. KIM

**LG·OTIS**