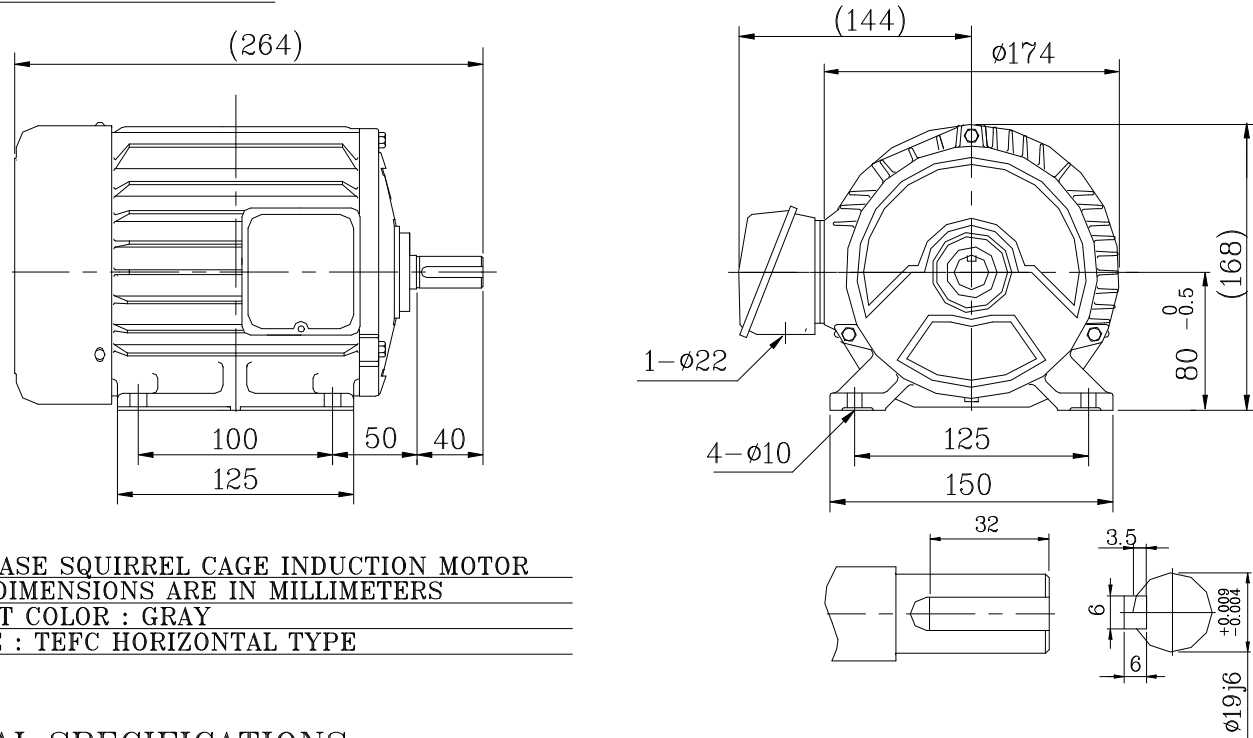


THREE PHASE INDUCTION MOTOR

TYPE ⇒ TOTALLY ENCLOSED FAN COOLED

OTHER SPECIAL FEATURES

OUTLINE DIMENSIONS



- <참고>  
 1. SHAFT 끝단 흔들림은 0.05TIR 이하.  
 2. ( )안의 치수는 참고 치수임.  
 3. MOTOR의 진동은 V20이하.  
 4. FRAME : AL DIE-CASTING

NOTE>

1. 3 PHASE SQUIRREL CAGE INDUCTION MOTOR  
 2. ALL DIMENSIONS ARE IN MILLIMETERS  
 3. PAINT COLOR : GRAY  
 4. TYPE : TEFC HORIZONTAL TYPE

GENERAL SPECIFICATIONS

SHAFT EXTENSION

	FRAME NO.	HP	POLE	VOLTS	HZ	INS. CLASS	SERVICE FACTOR	RATING	BEARINGS		AMB. TEMP (MAX.)	PROTEC.	MODEL NAME
									DRIVE	OPP. DRIVE			
A	80	1	4	220/380	60	B	1.0	CONT.	6204ZZ	6203ZZ	40°C	IP44	KMI-01HK1A
B													
C													
D													
E													
F													

DRAWING NO.	4681KK4D54	
PREPARED	CHECKED	APPROVED
2000.05.27		
H. J. KIM		

**LG·OTIS**