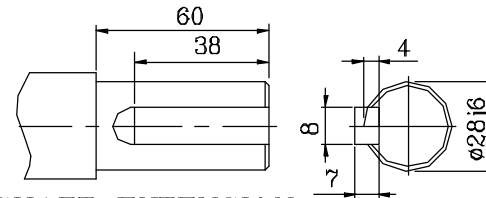
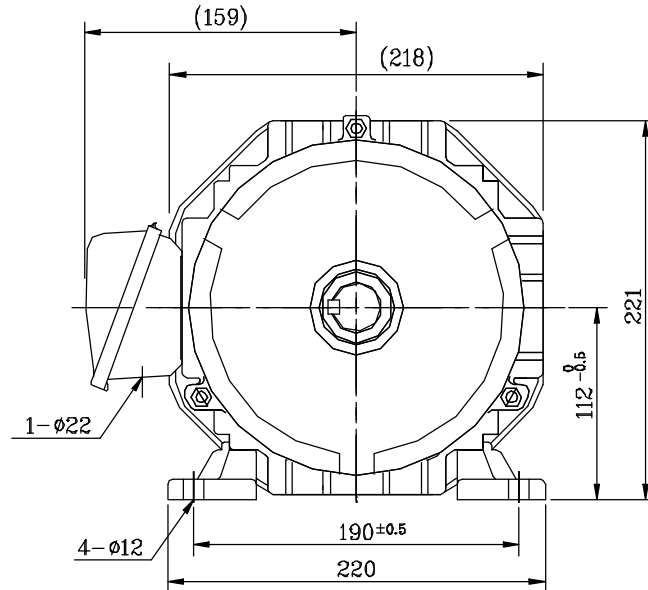
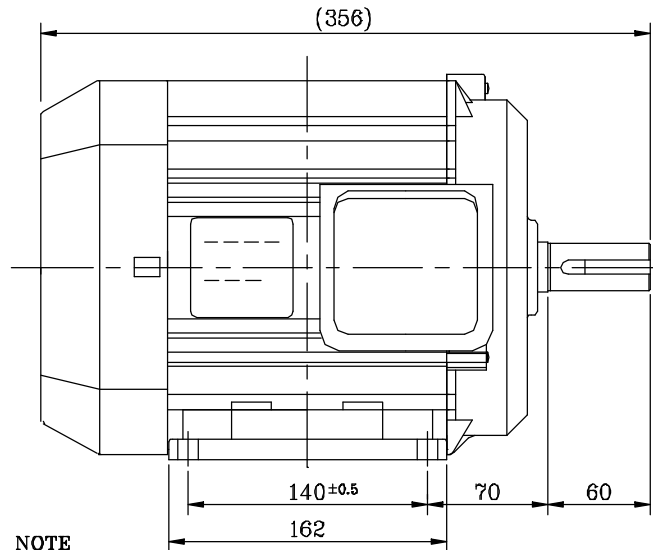


THREE PHASE INDUCTION MOTOR TYPE ⇒ TOTALLY ENCLOSED FAN COOLED

OTHER SPECIAL FEATURES

OUTLINE DIMENSIONS



NOTE

1. 3 PHASE SQUIRREL CAGE INDUCTION MOTOR
2. TYPE : TOTALLY ENCLOSED, FAN COOLED, MULTI-MOUNTED MOTOR.
3. ALL DIMENSIONS ARE IN MILLIMETERS.

SHAFT EXTENSION

<참 고>

1. FRAME 재질 : AL 압출.
2. E/B(F,R) 재질 : AL D/C.
3. T/BOX 재질 : PLASTIC..
4. FAN COVER 재질 : PLASTIC
5. E/B(F) : 흑색 분체도장
6. FRAME : 흑색 분체도장.
7. NAME PLATE 재질 : AL STICKER
8. SHAFT 끝단 흔들림은 0.05TIR이하.
9. () 안의 치수는 참고 치수임.
10. MOTOR 진동은 V30일 것.
11. 도장 없음.

GENERAL SPECIFICATIONS

DRAWING NO.

NO.	FRAME NO.	HP	POLE	VOLTS	HZ	INS. CLASS	SERVICE FACTOR	RATING	BEARINGS		APPROX. WEIGHT	PROTECTION	MODEL NAME
									DRIVE	OPP. DRIVE			
A	112M	5	4	220/380	60	B	1.0	CONT.	6206ZZ	6205ZZ	24KG	IP44	KMA-05HK1
B													
C													
D													
E													

PREPARED CHECKED APPROVED

2000.05.12
K.T ROH

LG·OTIS