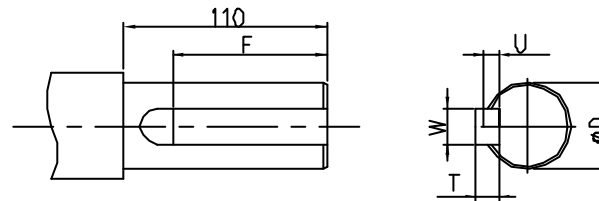
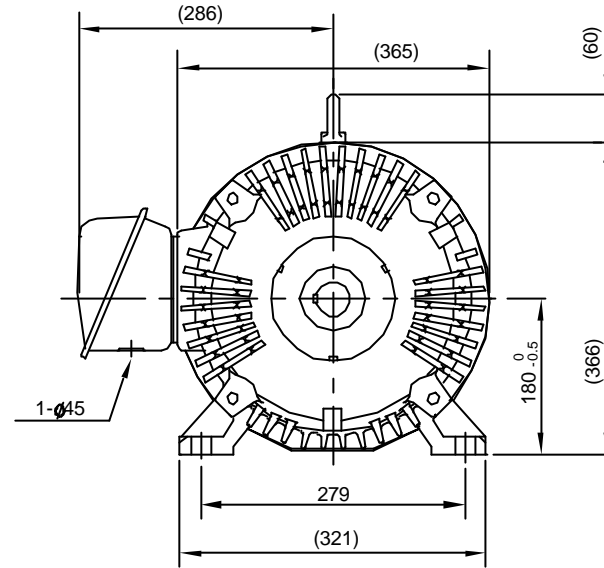
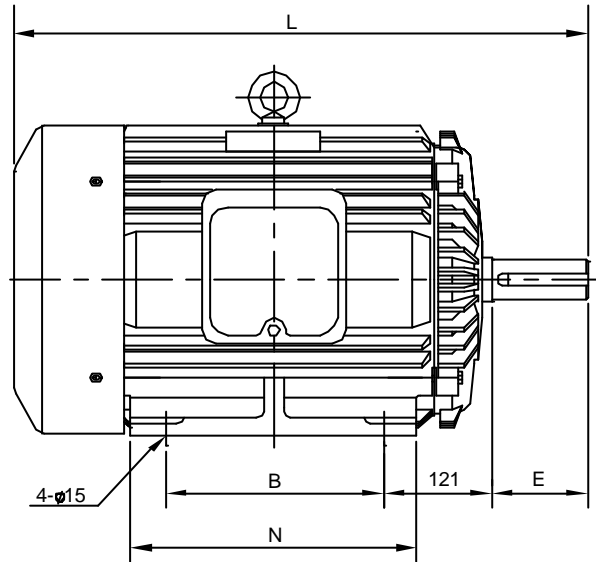


THREE PHASE INDUCTION MOTOR

OUTLINE DIMENSIONS



SHAFT EXTENSION

OTHER SPECIAL FEATURES

1. CAST IRON FRAME AND END BRACKETS.
2. STAINLESS STEEL NAME PLATE WITH CONNECTION DIAGRAM.
3. STEEL FAN COVER AND TERMINAL BOX.

NOTE

1. 3 PHASE SQUIRREL CAGE INDUCTION MOTOR
2. TYPE : TOTALLY ENCLOSED FAN COOLED, FOOT-MOUNTED MOTOR.
3. ALL DIMENSIONS ARE IN MILLIMETERS.
4. THE TOLERANCE FOR THE CENTER HEIGHT : $\{ \overset{0}{-0.5} \}$
5. THE TOLERANCE FOR THE KEY DIMENSIONS IS IN ACCORDANCE WITH KS B 1311-84

DRAWING NO.

PREPARED	CHECKED	APPROVED
'00.07.28 K.L HA	'00.07.28 H.T.KIM	'00.07.28 J.H.KIM

FRAME NO.	OUTPUT(KW)				DEGREES OF PROTECTION	RATING	L	E	F	B	N	φ D	W	T	U
	2P	4P	6P	8P											
180L	30	30	18.5/22	15	IP44	CONT.	690	110	93	279	318	55m6	16	10	6

LG·OTIS