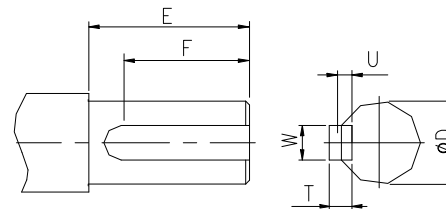
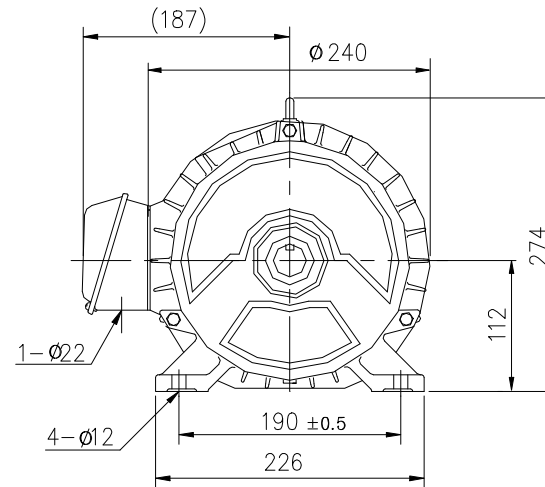
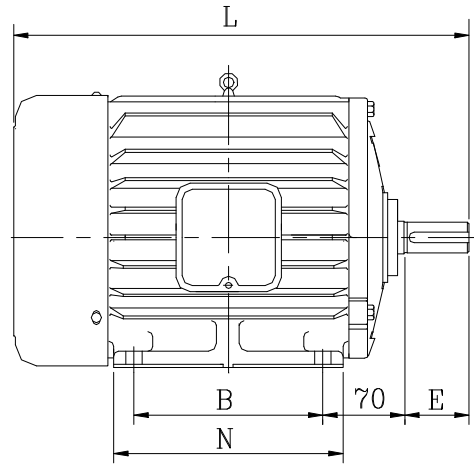


THREE PHASE INDUCTION MOTOR

### OUTLINE DIMENSIONS



SHAFT EXTENSION

**NOTE**

1. 3 PHASE SQUIRREL CAGE INDUCTION MOTOR
2. TYPE : TOTALLY ENCLOSED FAN COOLED, FOOT-MOUNTED MOTOR.
3. ALL DIMENSIONS ARE IN MILLIMETERS.
4. THE TOLERANCE FOR THE CENTER HEIGHT : (  $\begin{smallmatrix} 0 \\ -0.5 \end{smallmatrix}$  )
5. THE TOLERANCE FOR THE KEY DIMENSIONS IS IN ACCORDANCE WITH KS B 1311-84

OTHER SPECIAL FEATURES

1. CAST IRON FRAME AND END BRACKETS.
2. STAINLESS STEEL NAME PLATE WITH CONNECTION DIAGRAM.
3. STEEL FAN COVER AND TERMINAL BOX.

DRAWING NO.

PREPEARED

CHECKED

APPROVED

2000.05.26

2000.05.26

2000.05.26

D.H.KAM

H.J. KIM

J.H. KIM

FRAME NO.	OUTPUT(KW)				DEGREES OF PROTECTION	RATING	L	E	F	B	N	ø D	W	T	U
	2P	4P	6P	8P											
112S	2.2	2.2	1.5	—	IP44	CONT.	340	60	38	114	148	28j6	8	7	4
112M	3.7	3.7	2.2	1.5	IP44	CONT.	369	60	38	140	172	28j6	8	7	4

**LG·OTIS**