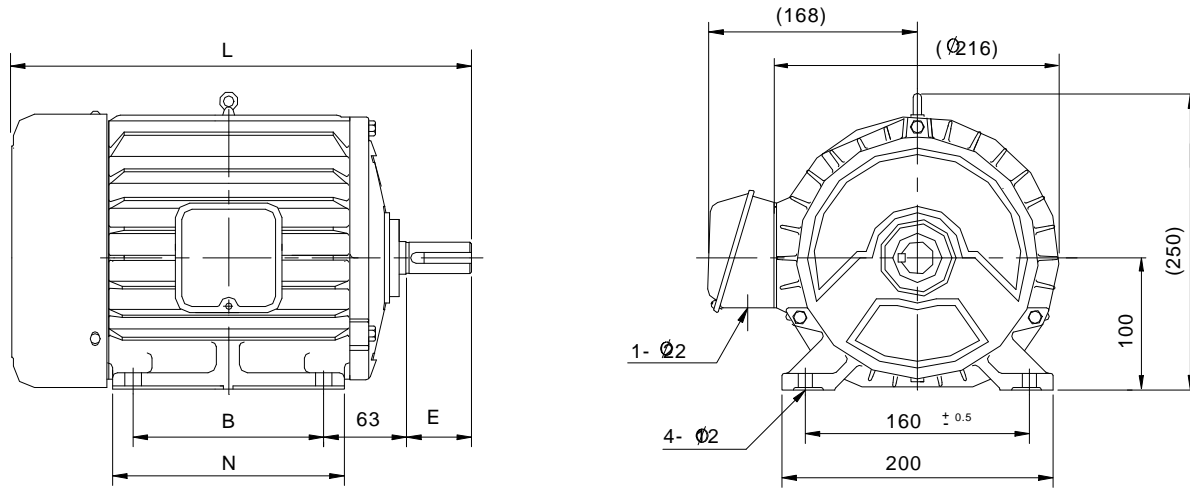


THREE PHASE INDUCTION MOTOR

OUTLINE DIMENSIONS



NOTE

1. 3 PHASE SQUIRREL CAGE INDUCTION MOTOR
2. TYPE : TOTALLY ENCLOSED FAN COOLED, FOOT-MOUNTED MOTOR.
3. ALL DIMENSIONS ARE IN MILLIMETERS.
4. THE TOLERANCE FOR THE CENTER HEIGHT : ($\begin{matrix} 0 \\ -0.5 \end{matrix}$)
5. THE TOLERANCE FOR THE KEY DIMENSIONS IS IN ACCORDANCE WITH KS B 1311-84

SHAFT EXTENSION

OTHER SPECIAL FEATURES

1. CAST IRON FRAME AND END BRACKETS.
2. STAINLESS STEEL NAME PLATE WITH CONNECTION DIAGRAM.
3. STEEL FAN COVER AND TERMINAL BOX.

DRAWING NO.

PREPARED	CHECKED	APPROVED
2000.05.26 D.H. KAM	2000.05.26 H.J. KIM	2000.05.26 H.J. KIM

FRAME NO.	OUTPUT(KW)				DEGREES OF PROTECTION	RATING	L	E	F	B	N	Ø D	W	T	U
	2P	4P	6P	8P											
100L	—	2.2	1.5	0.75	IP44	CONT.	358	60	38	140	174	28j6	8	7	4

LG·OTIS