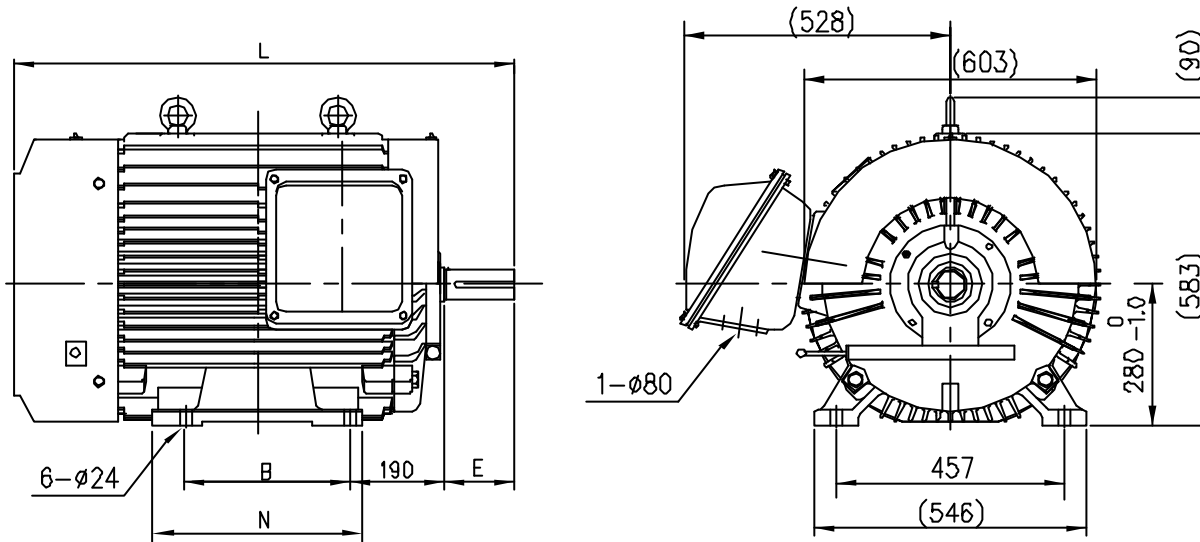


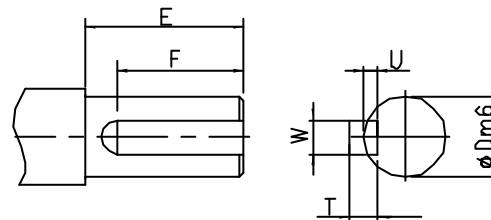
THREE PHASE INDUCTION MOTOR

OUTLINE DIMENSIONS



NOTE

1. 3 PHASE SQUIRREL CAGE INDUCTION MOTOR
2. TYPE : TOTALLY ENCLOSED FAN COOLED, FOOT-MOUNTED MOTOR.
3. ALL DIMENSIONS ARE IN MILLIMETERS.
4. THE TOLERANCE FOR THE KEY DIMENSIONS IS IN ACCORDANCE WITH KS B 1311-84



SHAFT EXTENSION

OTHER SPECIAL FEATURES

1. CAST IRON FRAME AND END BRACKETS.
2. STAINLESS STEEL NAME PLATE WITH CONNECTION DIAGRAM.
3. STEEL FAN COVER AND CAST TERMINAL BOX.

DRAWING NO.

PREPARED	CHECKED	APPROVED
2000.07.10 D.J.PARK	2000.07.10 Y.H.CHOI	2000.07.10 J.H. KIM

FRAME NO.	OUTPUT(KW)			DEGREES OF PROTECTION	RATING	L	E	F	B	N	φ D	W	T	U	
	—	4P	6P												8P
280S/M	—	95/ 110,132	75/95	55/75	IP44	CONT.	1000	170	140	368/419	518	85	24	16	8
280S/M	—	150	110	95	IP44	CONT.	1090	170	140	457/508	580	85	24	16	8

LG-OTIS