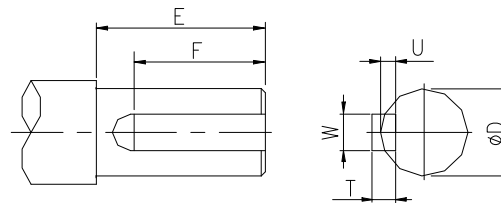
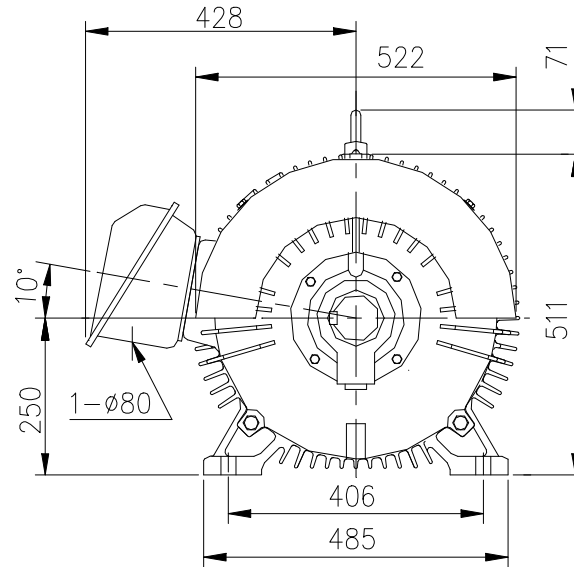
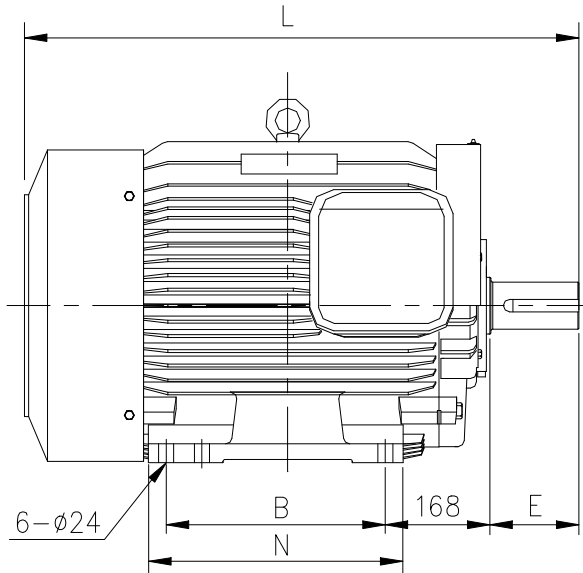


THREE PHASE INDUCTION MOTOR

OUTLINE DIMENSIONS



SHAFT EXTENSION

NOTE

1. 3 PHASE SQUIRREL CAGE INDUCTION MOTOR
2. TYPE : TOTALLY ENCLOSED FAN COOLED, FOOT-MOUNTED MOTOR.
3. ALL DIMENSIONS ARE IN MILLIMETERS.
4. THE TOLERANCE FOR THE CENTER HEIGHT : (-0.5)
5. THE TOLERANCE FOR THE KEY DIMENSIONS IS IN ACCORDANCE WITH KS B 1311-84

OTHER SPECIAL FEATURES

1. CAST IRON FRAME AND END BRACKETS.
2. STAINLESS STEEL NAME PLATE WITH CONNECTION DIAGRAM.
3. STEEL FAN COVER AND TERMINAL BOX.

DRAWING NO.

PREPARED	CHECKED	APPROVED
'01.07.07 H.K. KIM	'01.07.07 H.T. KIM	'01.07.07 J.H. KIM

FRAME NO.	OUTPUT(KW)				DEGREES OF PROTECTION	RATING	L	E	F	B	N	ø D	W	T	U
	2P	4P	6P	8P											
250S/MD	75	75	45/55	—	IP44	CONT.	853	110	93	311/349	444	55m6	15	10	5

LG-OTIS