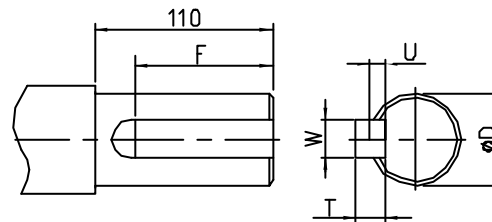
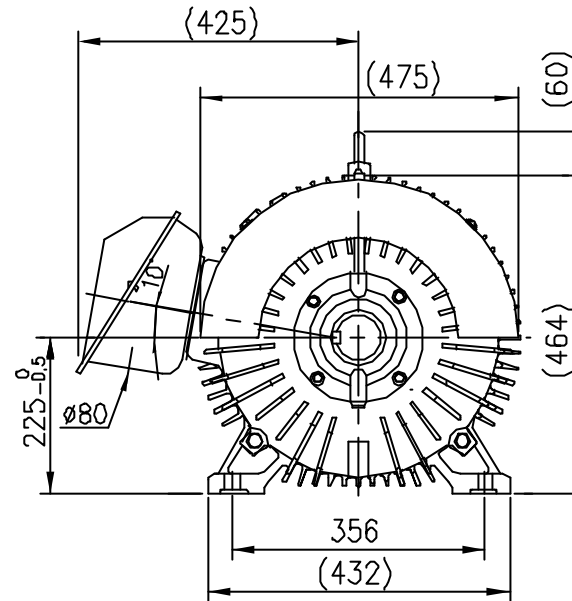
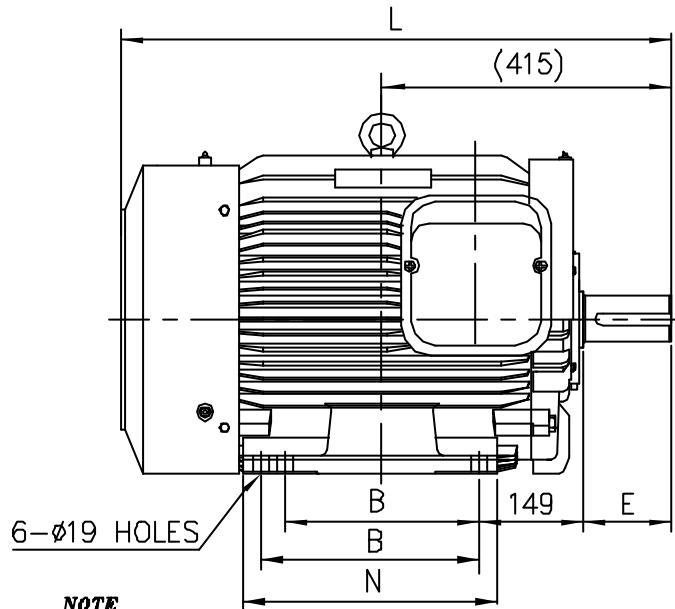


THREE PHASE INDUCTION MOTOR

OUTLINE DIMENSIONS

OTHER SPECIAL FEATURES



SHAFT EXTENSION

1. CAST IRON FRAME AND END BRACKETS.
2. STAINLESS STEEL NAME PLATE WITH CONNECTION DIAGRAM.
3. STEEL FAN COVER AND TERMINAL BOX.

NOTE

1. 3 PHASE SQUIRREL CAGE INDUCTION MOTOR
2. TYPE : TOTALLY ENCLOSED FAN COOLED, FOOT-MOUNTED MOTOR.
3. ALL DIMENSIONS ARE IN MILLIMETERS.
4. THE TOLERANCE FOR THE CENTER HEIGHT : ± 0.5)
5. THE TOLERANCE FOR THE KEY DIMENSIONS IS IN ACCORDANCE WITH KS B 1311-84

DRAWING NO.

PREPARED CHECKED APPROVED

'00.07.28 '00.07.28 '00.07.28
K.J. HA H.T. KIM J.H. KIM

FRAME NO.	OUTPUT(KW)				DEGREES OF PROTECTION	RATING	L	E	F	B	N	Ø D	W	T	U
	2P	4P	6P	8P											
225S/MD	45/55	—	—	—	IP44	CONT.	805	110	93	286/311	375	55m6	15	10	5

LG·OTIS