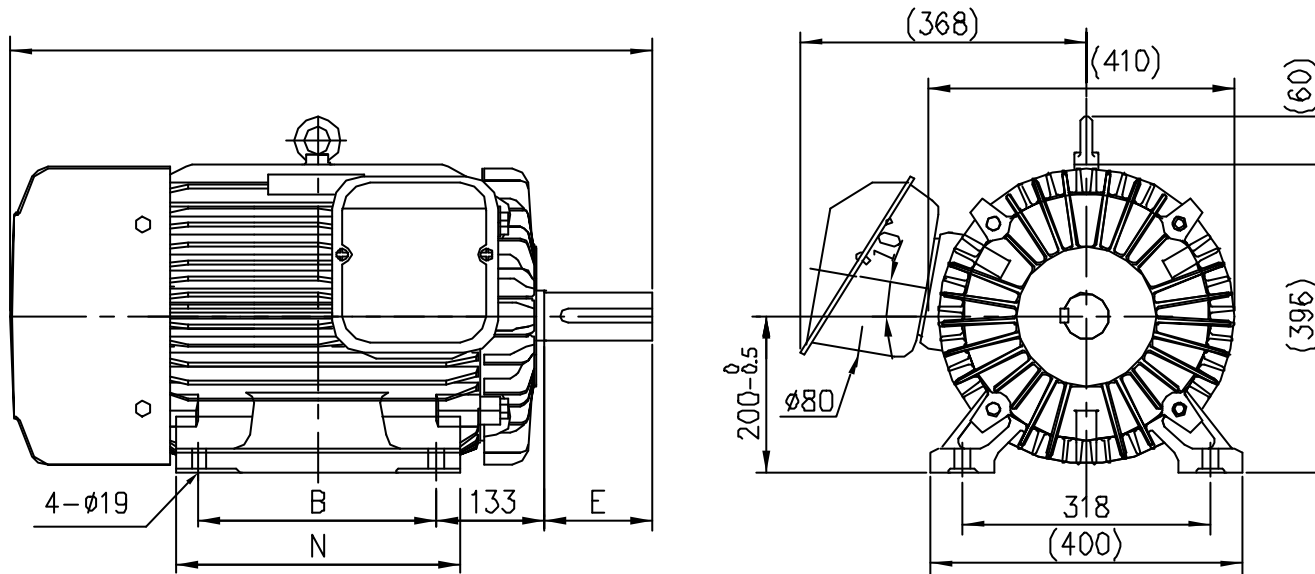


THREE PHASE INDUCTION MOTOR

## OUTLINE DIMENSIONS



### NOTE

1. 3 PHASE SQUIRREL CAGE INDUCTION MOTOR
2. TYPE : TOTALLY ENCLOSED FAN COOLED, FOOT-MOUNTED MOTOR.
3. ALL DIMENSIONS ARE IN MILLIMETERS.
4. THE TOLERANCE FOR THE CENTER HEIGHT :  $(-0.5)$
5. THE TOLERANCE FOR THE KEY DIMENSIONS IS IN ACCORDANCE WITH KS B 1311-84

### OTHER SPECIAL FEATURES

1. CAST IRON FRAME AND END BRACKETS.
2. STAINLESS STEEL NAME PLATE WITH CONNECTION DIAGRAM.
3. STEEL FAN COVER AND TERMINAL BOX.

DRAWING NO.

PREPARED CHECKED APPROVED

'00.07.28 '00.07.28 '00.07.28  
K.L. HA H.T. KIM J.H. KIM

### SHAFT EXTENSION

| FRAME NO. | OUTPUT(KW) |       |       |         | DEGREES OF PROTECTION | RATING | L   | E   | F  | B   | N   | ø D  | W  | T  | U  |
|-----------|------------|-------|-------|---------|-----------------------|--------|-----|-----|----|-----|-----|------|----|----|----|
|           | 2P         | 4P    | 6P    | 8P      |                       |        |     |     |    |     |     |      |    |    |    |
| 200L      | 37/45      | -     | -     | -       | IP44                  | CONT.  | 790 | 110 | 93 | 305 | 365 | 55m6 | 16 | 10 | 6  |
|           | -          | 37/45 | 30/37 | 18.5/22 | IP44                  | CONT.  | 820 | 140 | 93 | 305 | 365 | 60m6 |    | 7  | 11 |

**LG·OTIS**