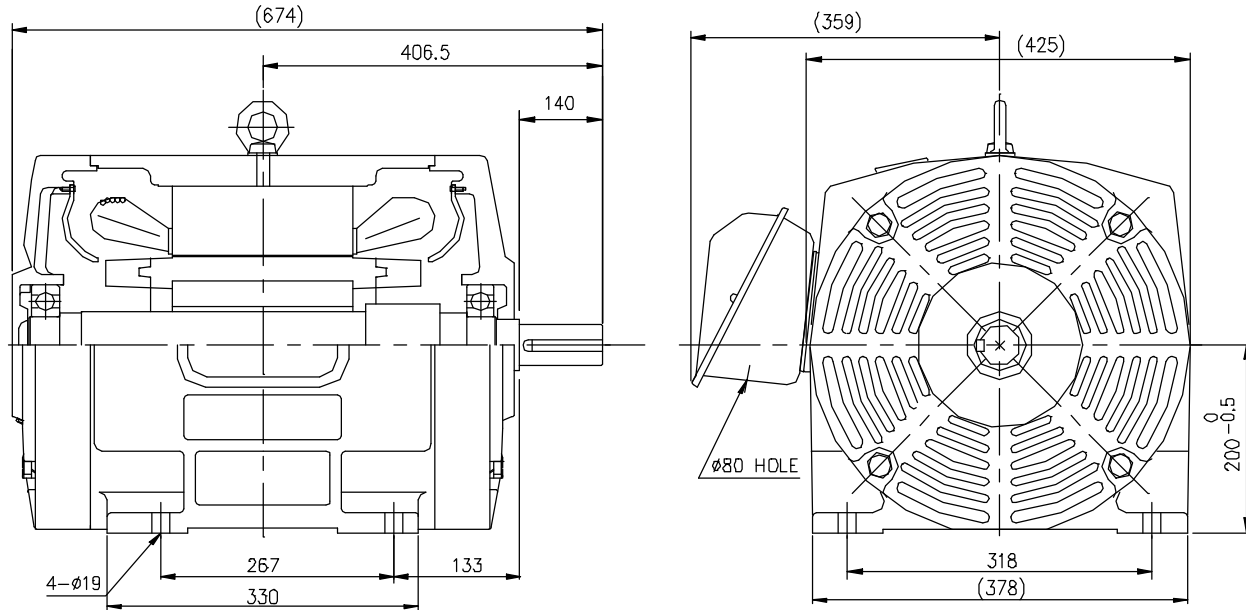


**THREE PHASE INDUCTION MOTOR**

**TYPE ⇒ OPEN - DRIP - PROOF**

**OTHER SPECIAL FEATURES**



NOTE>

1. 3 PHASE SQUIRREL CAGE INDUCTION MOTOR
2. ALL DIMENSIONS ARE IN MILLIMETERS
3. PAINT COLOR : GRAY

<참고>

1. ( )의 치수는 참고치수임.

**GENERAL SPECIFICATIONS**

DETAIL OF SHAFT END

NO	FRAME NO.	HP	POLE	VOLTS	HZ	INS. CLASS	SERVICE FACTOR	RATING	BEARINGS		APPROX. WEIGHT	PROTECTION	MODEL NAME
									DRIVE	OPP.DRIVE			
A	200M	50	6	380	60	F	1.15	CONT.	6314ZZ	6212ZZ	300Kg	IP22	Q50HU8
B													
C													
D													

DRAWING NO.		
PREPARED	CHECKED	APPROVED
2000.05.12 S.RY.PARK	2000.05.12 S.RY.PARK	2000.05.12 S.RY.PARK

**LG-OTIS**