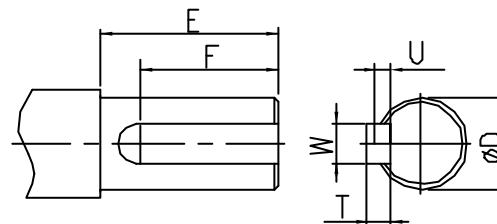
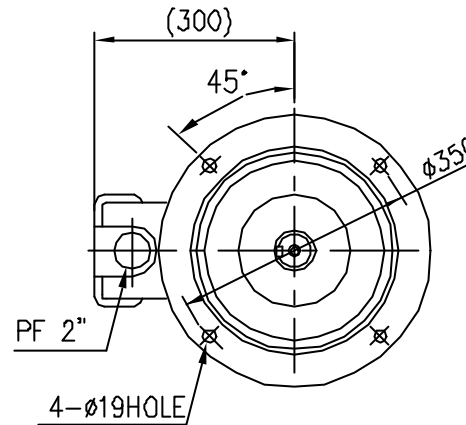
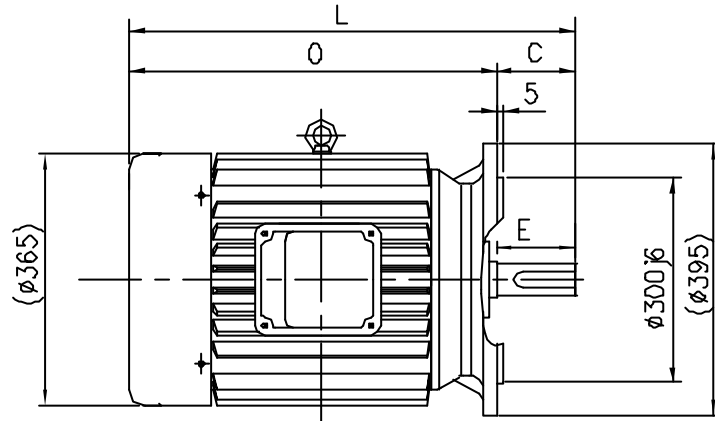


THREE PHASE INDUCTION MOTOR

OUTLINE DIMENSIONS



SHAFT EXTENSION

OTHER SPECIAL FEATURES

1. CAST IRON FRAME AND END BRACKETS.
2. STAINLESS STEEL NAME PLATE WITH CONNECTION DIAGRAM.
3. STEEL FAN COVER AND TERMINAL BOX.

NOTE

1. 3 PHASE SQUIRREL CAGE INDUCTION MOTOR
2. TYPE : TOTALLY ENCLOSED FAN COOLED, FLANGE-MOUNTING FOOTLESS MOTOR.
3. ALL DIMENSIONS ARE IN MILLIMETERS.
4. THE TOLERANCE FOR THE KEY DIMENSIONS IS IN ACCORDANCE WITH KS B 1311-84

DRAWING NO.

PREPARED CHECKED APPROVED

'00.07.28 '00.07.28 '00.07.28
K.I. HA H.T. KIM J.H. KIM

FRAME NO.	OUTPUT(KW)				DEGREES OF PROTECTION	RATING	L	O	C	E	F	W	T	U	φD
	2P	4P	6P	8P											
(FF350) 180M	30	18.5/22	15	30	IP44	CONT.	675	565	110	110	98	14	9	5.5	48m6

LG-OTIS