

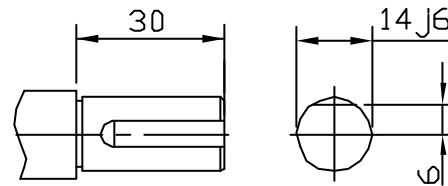
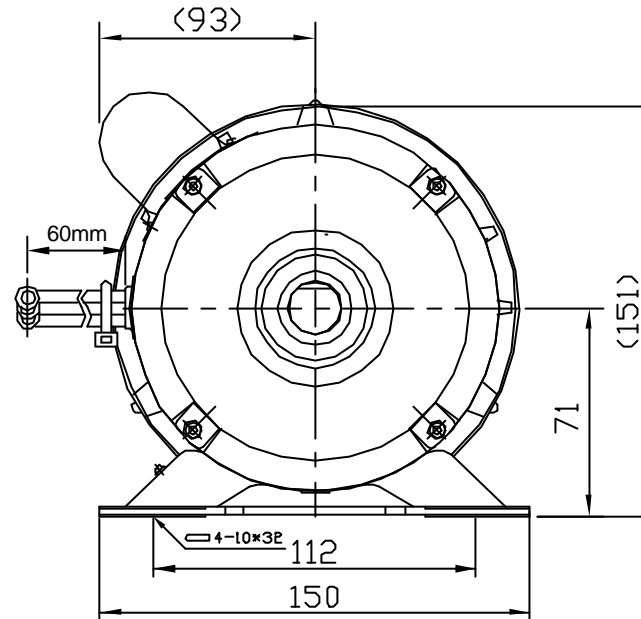
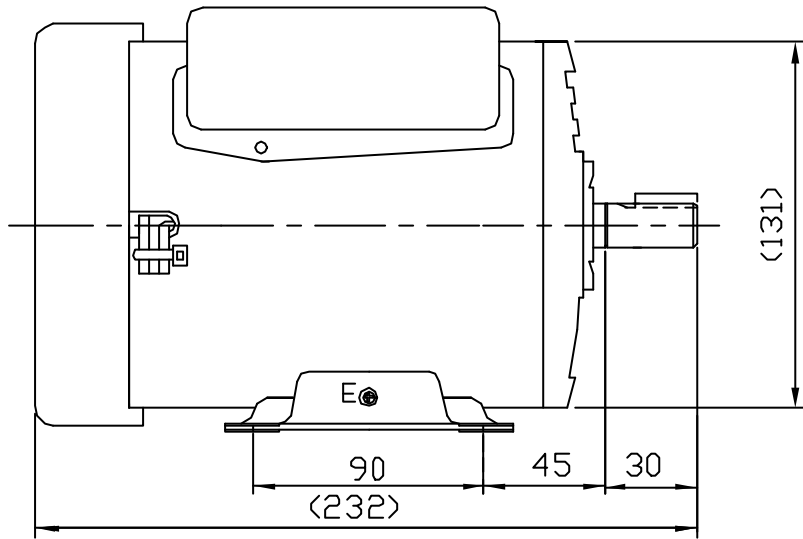
SINGLE PHASE INDUCTION MOTOR

TYPE →

TOTAL ENCLOSED FAN COOLED  
CAPACITOR RUN

OTHER SPECIAL FEATURES

1. STEEL FRAME AND CAST END BRACKETS.
2. ( ) DIMENSIONS ARE REFERENCE



SHAFT EXTENSION

NOTE

1. SINGLE PHASE SQUIRREL CAGE INDUCTION MOTOR
2. TYPE : TEFC, FOOT-MOUNTED
3. PAINT COLOR : GRAY
4. ALL DIMENSIONS ARE IN MILLIMETERS.

|                     |                       |                       |
|---------------------|-----------------------|-----------------------|
| DRAWING NO.         |                       |                       |
| PREPARED            | CHECKED               | APPROVED              |
| 2000.10.6<br>CH CHO | 2000.10.6<br>KIM HOKI | 2000.10.6<br>KIM HOKI |

|   | FRAME SIZE | KW  | POLE | VOLT (V) | FREQ. (HZ) | INS. CLASS | RATING | BEARINGS |           | APPROX WEIGHT | MODEL     | 비고 |
|---|------------|-----|------|----------|------------|------------|--------|----------|-----------|---------------|-----------|----|
|   |            |     |      |          |            |            |        | DRIVE    | OPP.DRIVE |               |           |    |
| A | 71         | 0.1 | 4    | 220      | 60         | B          | CONT.  | 6202ZZ   | 6202ZZ    | 8.3           | KMR-100B4 |    |
| B |            |     |      |          |            |            |        |          |           |               |           |    |

**LG-OTIS**