

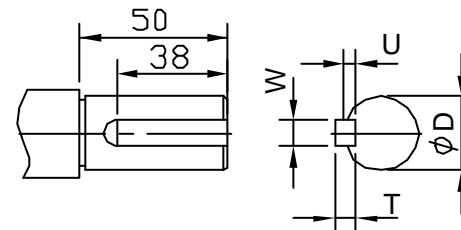
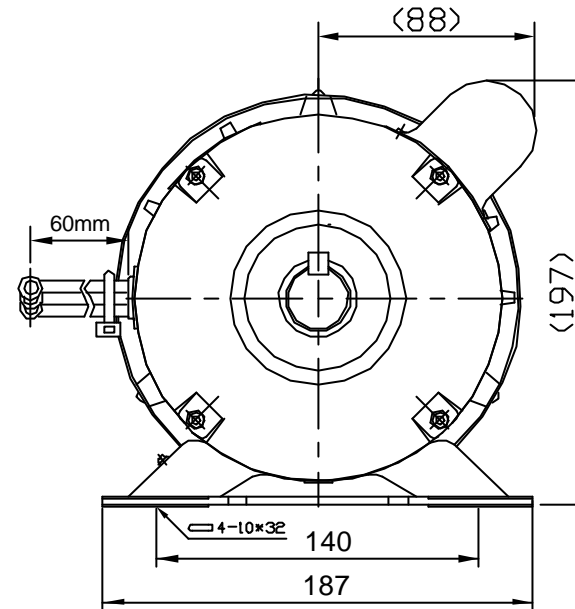
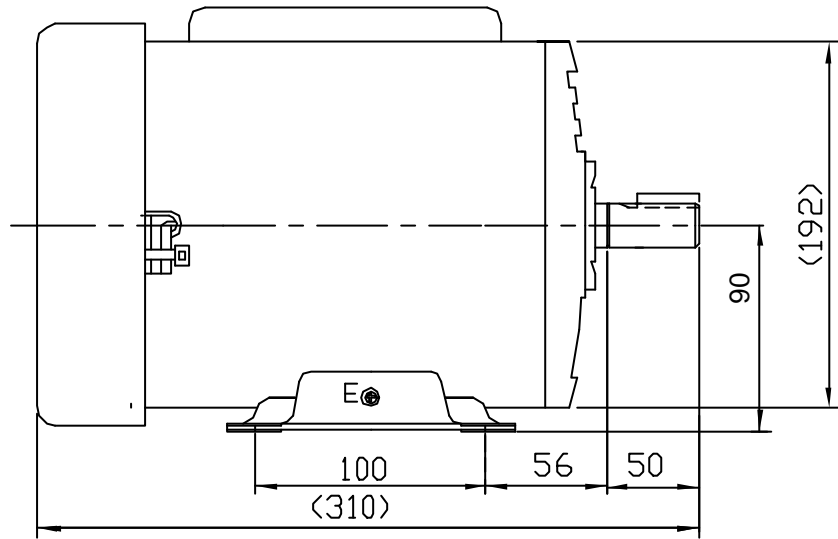
SINGLE PHASE INDUCTION MOTOR

TYPE →

TOTAL ENCLOSED FNA COOLED
CAPACITOR RUN

OTHER SPECIAL FEATURES

1. STEEL FRAME AND CAST END BRACKETS.
2. () DIMENSIONS ARE REFERENCE



SHAFT EXTENSION

NOTE

1. SINGLE PHASE SQUIRREL CAGE INDUCTION MOTOR
2. TYPE : TEFC, FOOT-MOUNTED
3. PAINT COLOR : GRAY
4. ALL DIMENSIONS ARE IN MILLIMETERS.

DRAWING NO.

PREPARED	CHECKED	APPROVED
2000.10.6	2000.10.6	2000.10.6
CH CHO	KIM HOKI	KIM HOKI

	FRAME SIZE	KW	POLE	VOLT (V)	FREQ. (HZ)	INS. CLASS	ϕD	U	T	W	MODEL	비고
A	90	0.75	4	220	60	B	22 j6	7	7	7	KMR-01HB4	
B												

LG-OTIS