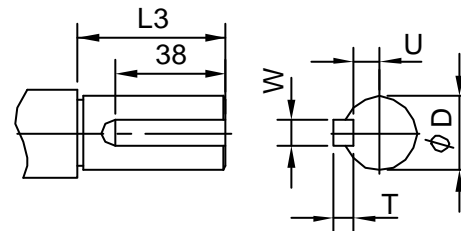
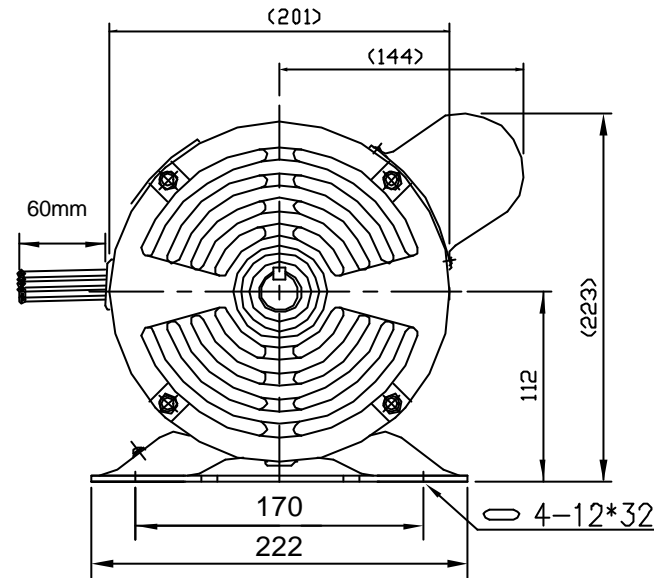
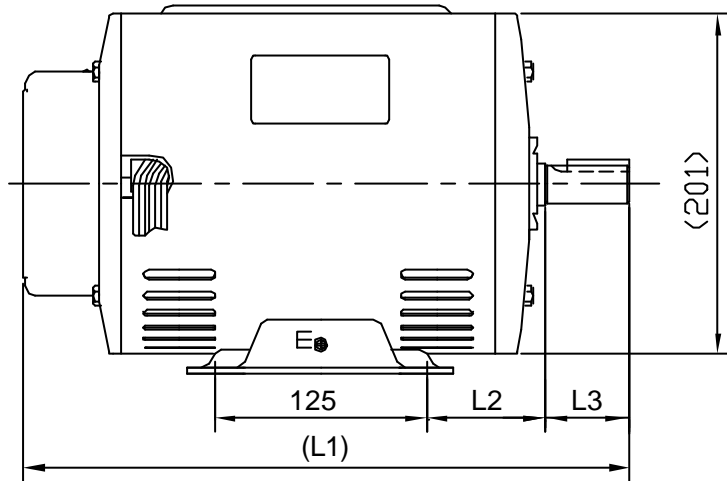


SINGLE PHASE INDUCTION MOTOR

TYPE →

OPEN DRIP-PROOF  
CAPACITOR START

OTHER SPECIAL FEATURES



SHAFT EXTENSION

1. STEEL FRAME AND CAST END BRACKETS.
2. ( ) DIMENSIONS ARE REFERENCE

NOTE

1. SINGLE PHASE SQUIRREL CAGE INDUCTION MOTOR
2. TYPE : OPEN DRIP-PROOF, FOOT-MOUNTED
3. PAINT COLOR : GRAY
4. ALL DIMENSIONS ARE IN MILLIMETERS.

DRAWING NO.

PREPARED	CHECKED	APPROVED
2000.10.6	2000.10.7	2000.10.7
CH CHQ	H.K. KIM	H.K. KIM

	FRAME SIZE	KW	POLE	VOLT (V)	FREQ. (HZ)	INS. CLASS	L1	L2	L3	$\phi D$	U	T	W	MODEL	LG
A	112	2.2	4	220	60	B	378	80	60	28 j6	7	7	7	KMT-03HB6	
B															
C															

**LG-OTIS**