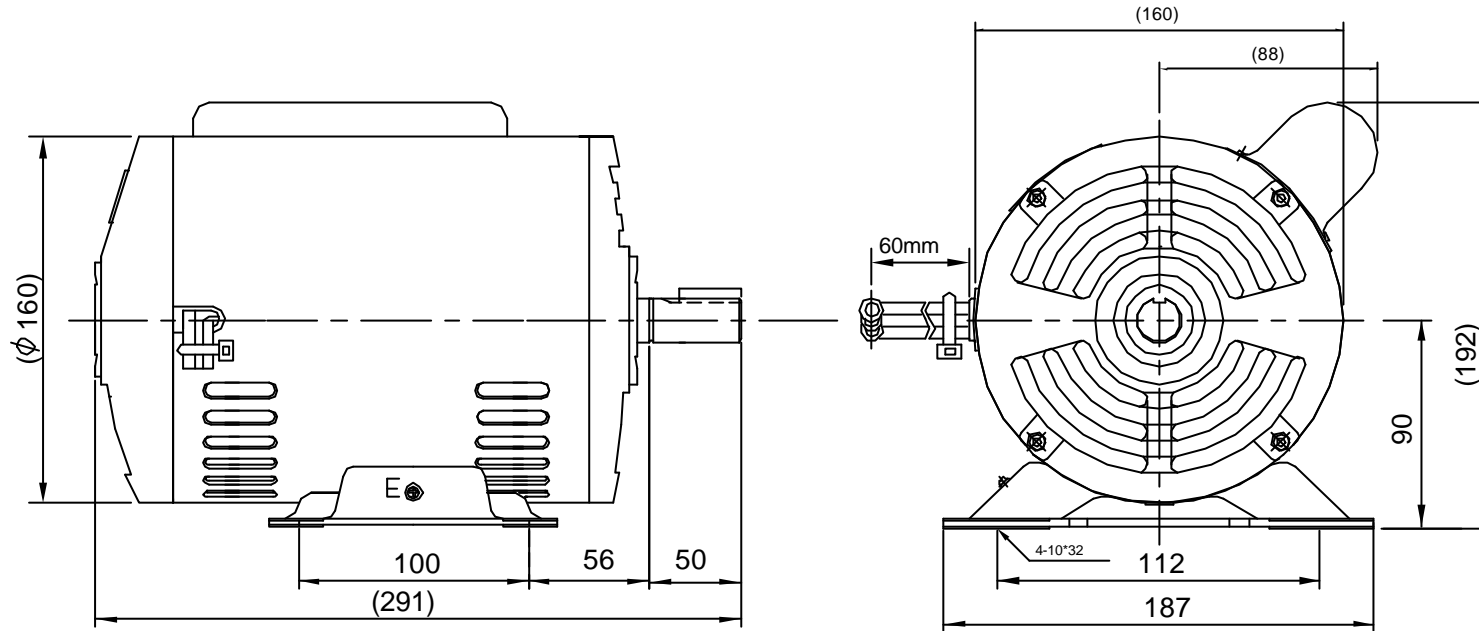


SINGLE PHASE INDUCTION MOTOR

TYPE → OPEN DRIP-PROOF
CAPACITOR START

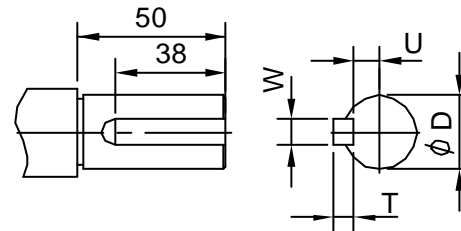
OTHER SPECIAL FEATURES

1. STEEL FRAME AND CAST END BRACKETS.
2. () DIMENSIONS ARE REFERENCE



NOTE

1. SINGLE PHASE SCIRREL CAGE INDUCTION MOTOR
2. TYPE : OPEN DRIP-PROOF, FOOT-MOUNTED
3. PAINT COLOR : GRAY
4. ALL DIMENSIONS ARE IN MILLIMETERS.
5. MOTOR PROTECTION : IP 22



SHAFT EXTENSION

DRAWING NO.		
PREPARED	CHECKED	APPROVED
2000.10.6	2000.10.7	2000.10.7
CH CHO	KIM HOKI	KIM HOKI

	FRAME SIZE	KW	POLE	VOLT (V)	FREQ. (HZ)	INS. CLASS	∅D	U	T	W	MODEL	비고
A	90	0.75	4	220	60	B	22 j6	7	7	7	KMT-01HB6	
B												

LG-OTIS