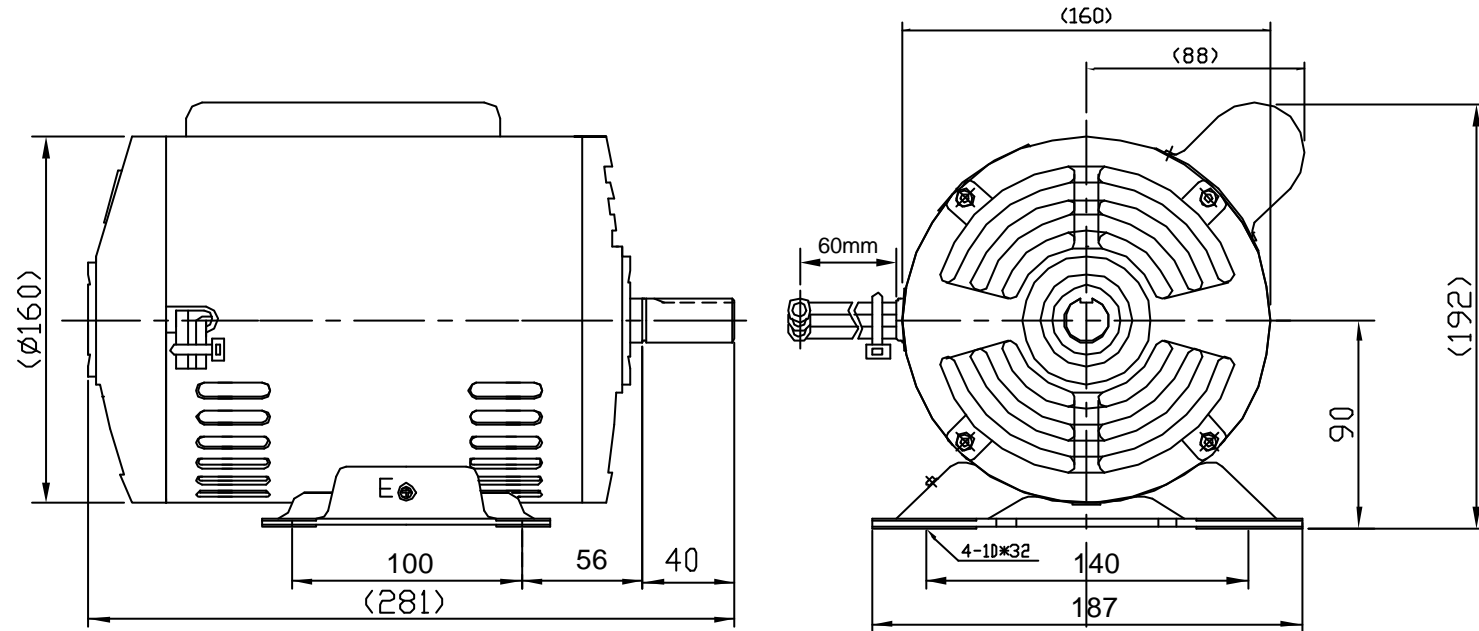


SINGLE PHASE INDUCTION MOTOR

TYPE →

OPEN DRIP-PROOF
CAPACITOR START

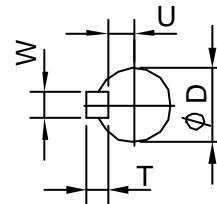
OTHER SPECIAL FEATURES



1. STEEL FRAME AND CAST END BRACKETS.
2. () DIMENSIONS ARE REFERENCE

NOTE

1. SINGLE PHASE SQUIRREL CAGE INDUCTION MOTOR
2. TYPE : OPEN DRIP-PROOF, FOOT-MOUNTED
3. PAINT COLOR : GRAY
4. ALL DIMENSIONS ARE IN MILLIMETERS.



SHAFT EXTENSION

DRAWING NO.		
PREPARED	CHECKED	APPROVED
2000.10.6 CH CHO	2000.10.7 H.K. KIM	2000.10.7 H.K. KIM

	FRAME SIZE	kW	POLE	VOLT (V)	FREQ. (HZ)	INS. CLASS	φD	U	T	W	MODEL	비고
A	90	0.4	4	220	60	B	19 j6	6.5	5	5	KMT-400B6	
B												

LG-OTIS