

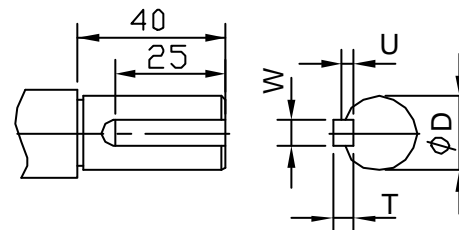
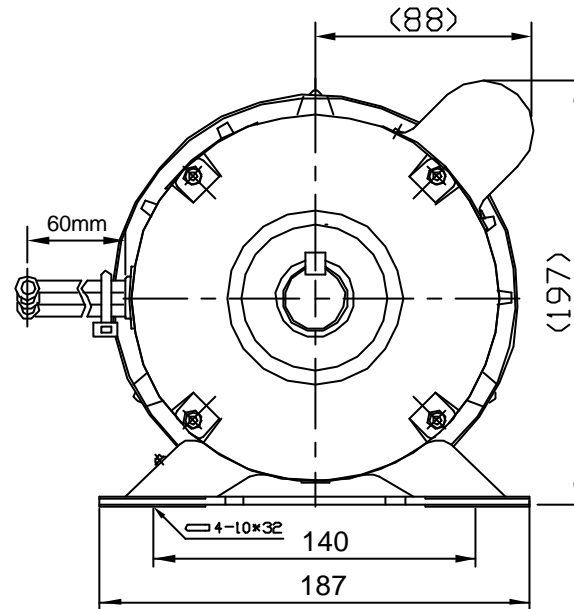
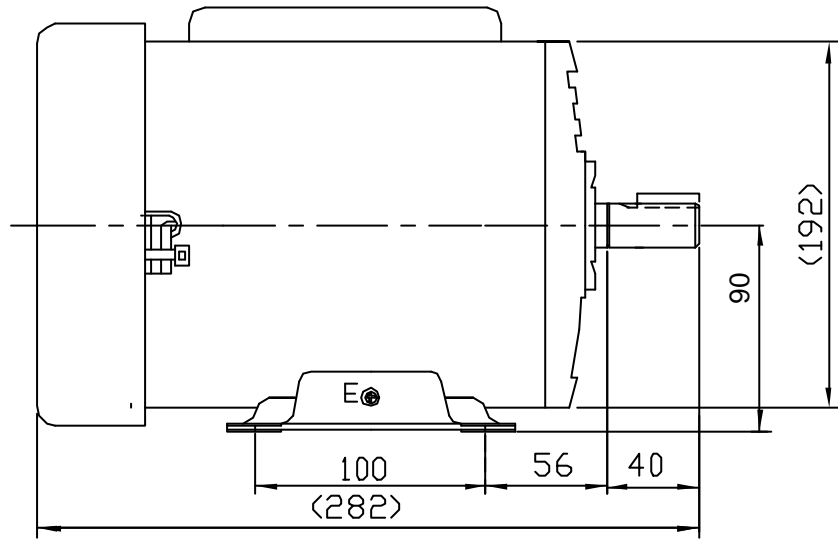
SINGLE PHASE INDUCTION MOTOR

TYPE →

TOTAL ENCLOSED FNA COOLED  
CAPACITOR START

OTHER SPECIAL FEATURES

1. STEEL FRAME AND CAST END BRACKETS.
2. ( ) DIMENSIONS ARE REFERENCE



SHAFT EXTENSION

NOTE

1. SINGLE PHASE SQUIRREL CAGE INDUCTION MOTOR
2. TYPE : :TEFC, FOOT-MOUNTED
3. PAINT COLOR : GRAY
4. ALL DIMENSIONS ARE IN MILLIMETERS.

DRAWING NO.		
PREPARED	CHECKED	APPROVED
2000.10.6	2000.10.6	2000.10.6
CH	CHD	KIM HOKI

	FRAME SIZE	KW	POLE	VOLT (V)	FREQ. (HZ)	INS. CLASS	φD	U	T	W	MODEL	비고
A	90	0.4	4	220	60	B	19 j6	3	5	5	KMT-400B4	
B												

**LG·OTIS**