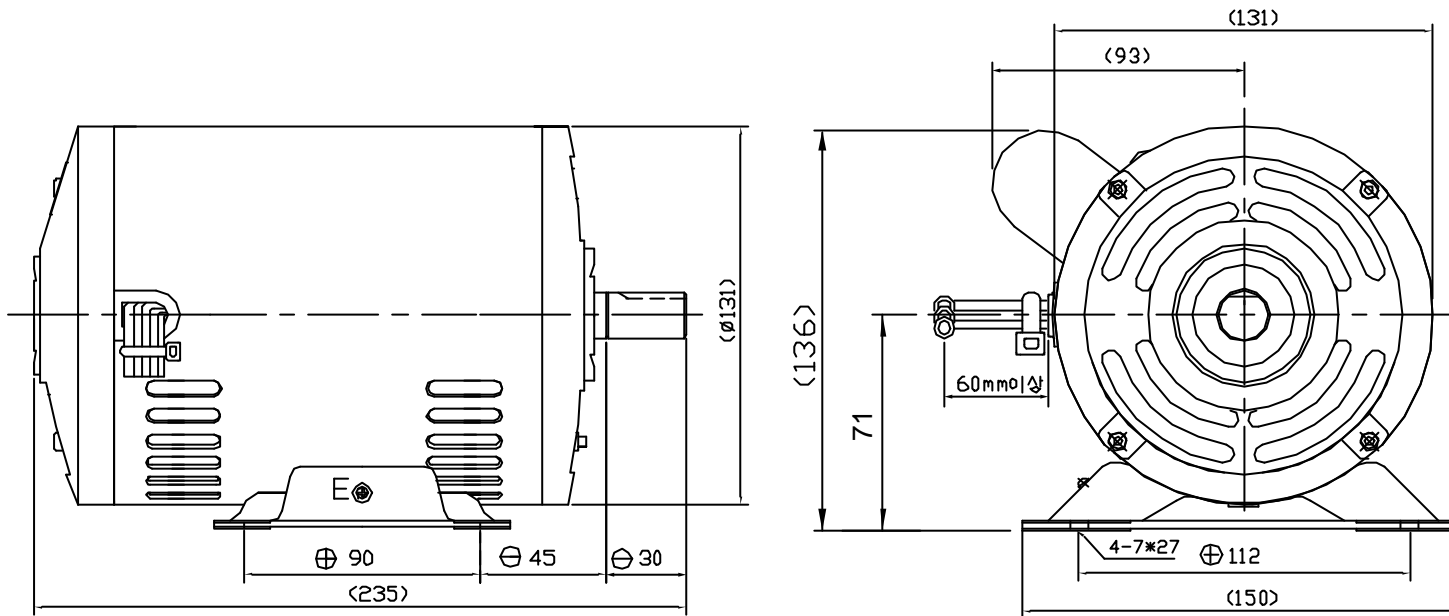


# SINGLE PHASE INDUCTION MOTOR

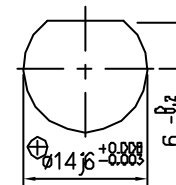
## OTHER SPECIAL FEATURES

1. STEEL FRAME AND CAST END BRACKETS.
2. ( ) DIMENSIONS ARE REFERENCE



### NOTE>

1. 1 PHASE SQUIRREL CAGE INDUCTION MOTOR
2. ALL DIMENSIONS ARE IN MILLIMETERS
3. PAINT COLOR : GRAY
4. TYPE : ODP HORIZONTAL TYPE



DETAIL OF SHAFT END

## GENERAL SPECIFICATIONS

NO	FRAME NO.	kW	POLE	VOLTS	HZ	INS. CLASS	SERVICE FACTOR	RATING	BEARING		APPROX. WEIGHT	PROTECTION	MODEL NAME
									DRIVE	OPP.DRIVE			
A	71	0.3	4	220	60	B	1.0	CONT.	6202ZZ	6202ZZ	10.3KG	IP22	KMT-300B6
B													
C													
D													

DRAWING NO.

PREPARED

2000.10.6  
CH CHD

CHECKED

2000.10.7  
H.K. KIM

APPROVED

2000.10.7  
H.K. KIM

**LG·OTIS**